

A

B

C

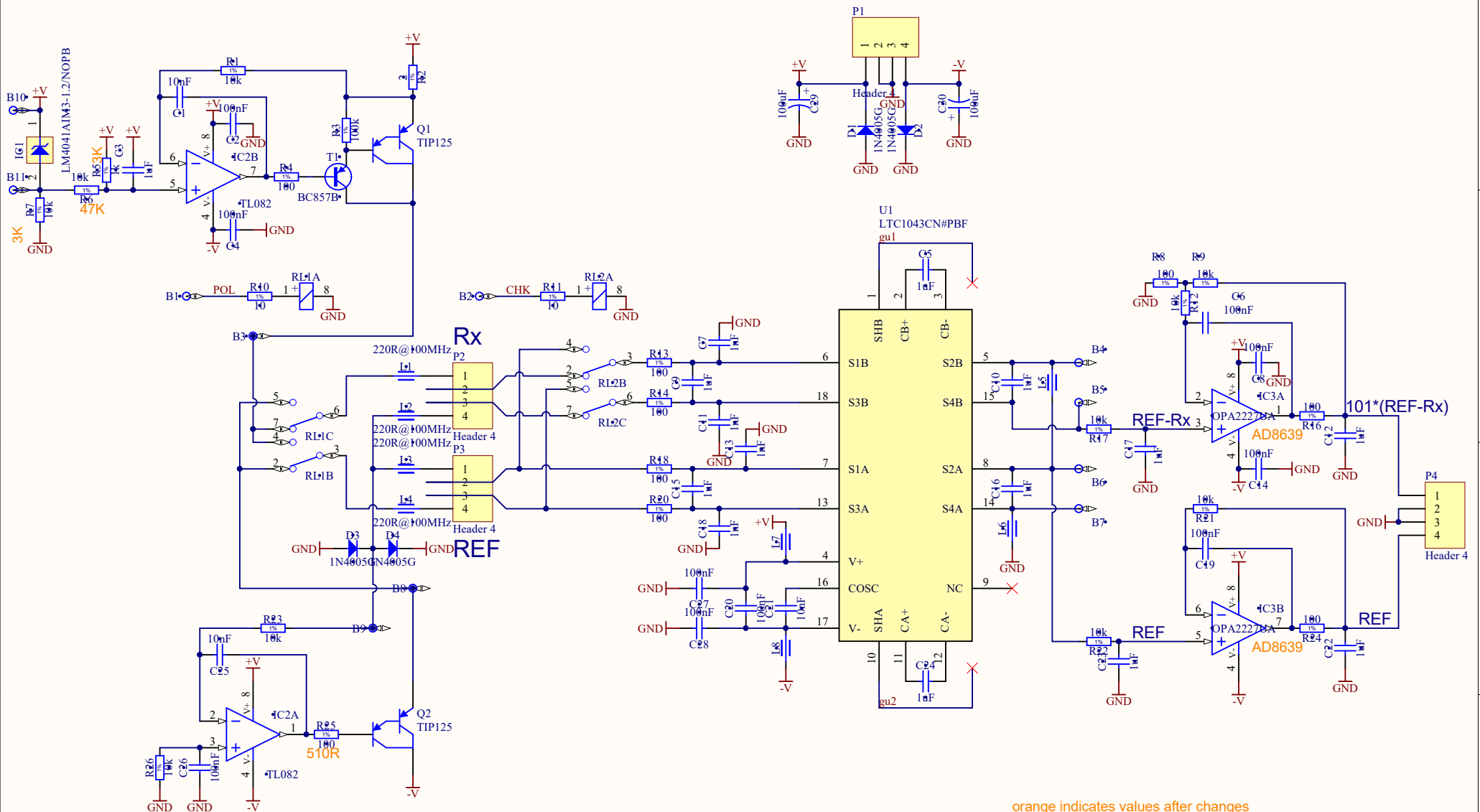
D

1

2

3

4



orange indicates values after changes

Title		
Size	Number	Revision
A4		
Date:	20.11.2021	Sheet of
File:	D:\data recovery RFS\.\Sheet1.SchDoc	Drawn By:

1

2

3

4

A

B

C

D